

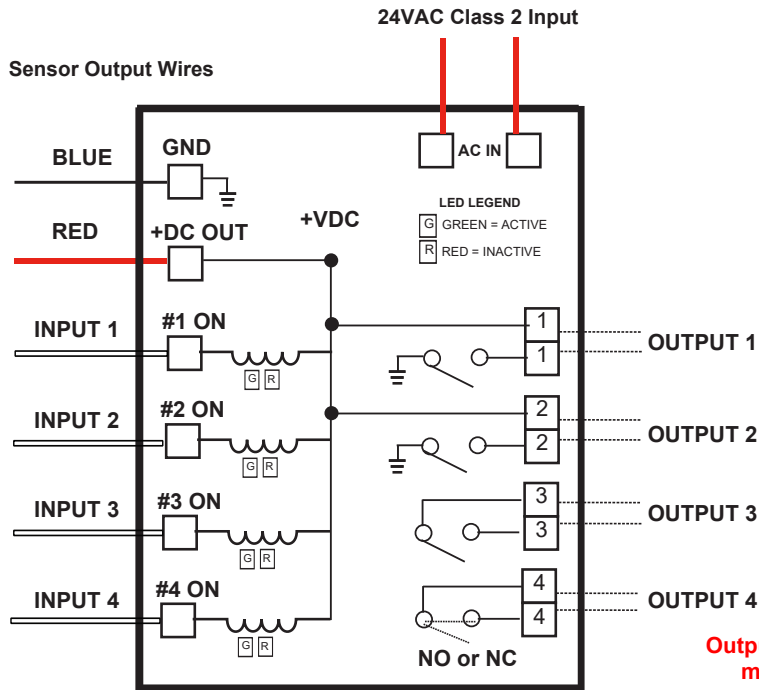


Checkpoint Mini Control Board

MCB-24VAC-TB

System Dynamics, Inc.
P.O. Box 12544
Scottsdale, Arizona 85260
Toll Free: 866-243-2505
sales@waterlevelcontrols.com
www.waterlevelcontrols.com

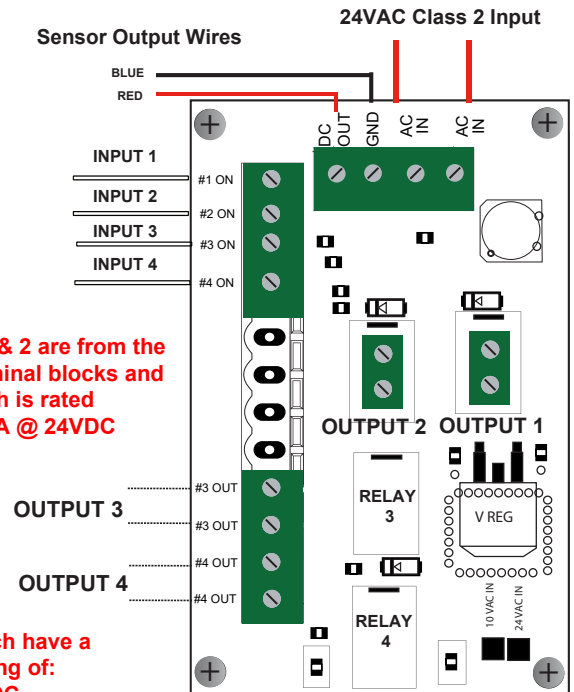
- (2) 24VDC Normally Open switch outputs
- (1) Normally Open Dry Contact switch output
- (1) Optional NO or NC Dry Contact switch output



Logical View

Outputs 1 & 2 are from the green terminal blocks and each is rated 100mA @ 24VDC

Outputs 3 & 4 each have a maximum rating of:
1A @ 36VDC
0.5A @ 125VAC



Physical View

NOTE:

The Checkpoint Mini Control Board requires 24VAC Class 2 only input power. The customer can connect their own 24VAC Class 2 power source or purchase one separately. See Add On Options for details and part numbers.

Each Mini Control Board input has a corresponding output.

Inputs 1 & 2 have 24VDC Normally Open outputs.

Input 3 has a Normally Open Dry Contact output.

Output 4 has two options:

1. Configured as a secondary output switch (NO or NC) to any of the other switches. See PCB for which resistor to remove for NO or NC output.
2. A Power Loss indicator by connecting DC GND to Input 4 and removing resistor for NC output.

The Load connected to the output should be a 100 - 50k resistive or inductive device (relay coil) drawing 0.0005mA - 250mA.

Panel Design Consideration:

Low voltage terminal blocks should be used to connect the Sensor Output wires to the Mini Control Board Inputs. Use matching wire colors between the Sensor Output wires and the Mini Control Board input connections.