



3SPF04-ROD SmartProbe Sensor Submittal

Simplex Fill with Low & High Alarms

SENSOR APPROVAL SHEET

CUSTOMER	
PO#	
SO#	
SHIP DATE	
QUANTITY	
WIRE LENGTH (ft)	

SENSOR WIRE:
Standard wire length is 20ft.
Minimum wire length is 5ft.
18AWG Sensor Wire

SENSOR INPUT POWER:
RED.....+24VDC
BLUE.....GND

SENSOR OUTPUT WIRES:
WHITE.....FILL START/STOP
GREEN.....HIGH ALARM
BROWN.....LOW ALARM

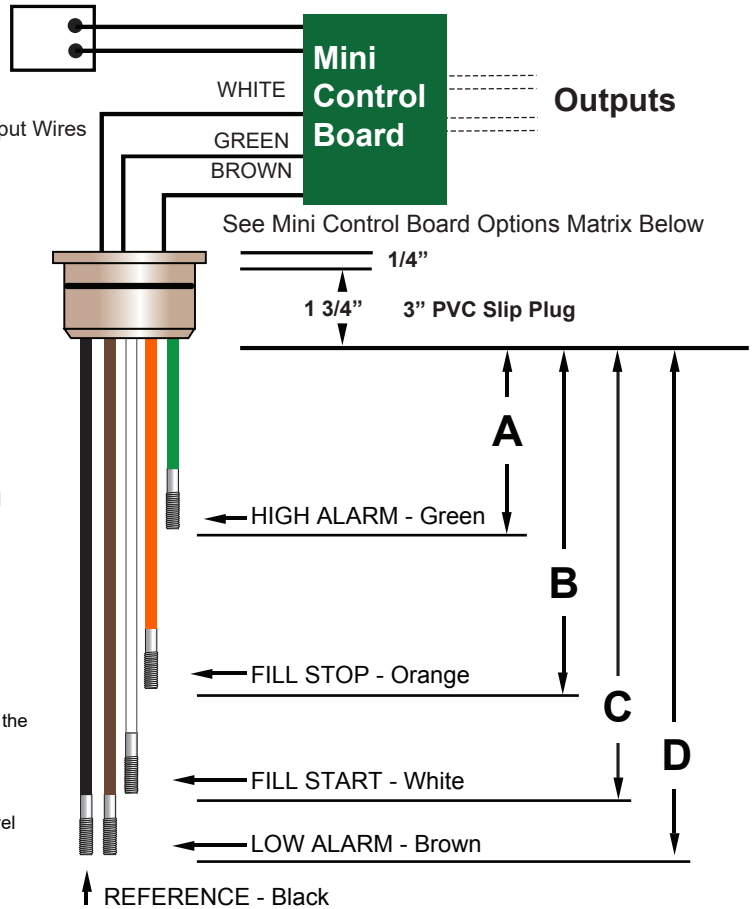
Three functions - shortest to longest rod length

Function 1: High Alarm
When the water level contacts the GREEN rod, GREEN output goes Active. When the water level falls below the GREEN rod, GREEN output goes Inactive.

Function 2: Fill Start/Stop
ORANGE AND WHITE rods are a differential function through the WHITE output wire.
When the water level falls below the WHITE rod, WHITE output goes Active. When the water level contacts the ORANGE rod, WHITE output goes Inactive. The WHITE output remains Inactive until the water level falls below the WHITE rod.

Function 3: Low Alarm
When the water level contacts the BROWN rod, BROWN output goes Inactive. When the water level falls below the BROWN rod, BROWN output goes Active.

24VAC Class 2 Input



All rods are 304 stainless steel with 1/4-20 threaded ends.
Sensor rods can be extended using an Extension Rod kit accessory.
Sensor rods & wires are Intrinsically safe with circuit limited signals.

Custom rod length requests should be measured from where the bottom of the sensor cup will be seated after mounting, down to the required function or alarm level(s) in inches. Be sure to take into account any riser pipes or man-way risers.

System Dynamics, Inc.
P.O. Box 12544
Scottsdale, Arizona 85260
Toll Free: 866-243-2505
sales@waterlevelcontrols.com
www.waterlevelcontrols.com

ROD LENGTH

SENSOR		STANDARD	CUSTOM
Green	HIGH ALARM A	10 3/8"	
Orange	FILL STOP B	14 7/8"	
White	FILL START C	16 3/8"	
Brown	LOW ALARM D	17"	
Black	same length as longest rod		

Name: _____

Company: _____

Signature: _____

Date: _____

Signature is required to release product to production

Unless otherwise noted below, all relay outputs are Dry Contact

MINI CONTROL BOARD OPTIONS	INPUT #	OUTPUT #			
		NO	NO	NO	NO/NC
MCB-24VAC	1, 2, 3	1	2	3	4**
MCB-24VAC-TB	1, 2, 3	1*	2*	3	4**

* Used for 24VDC switch output

**Use Input #4 for NO or NC Dry Contact output option