

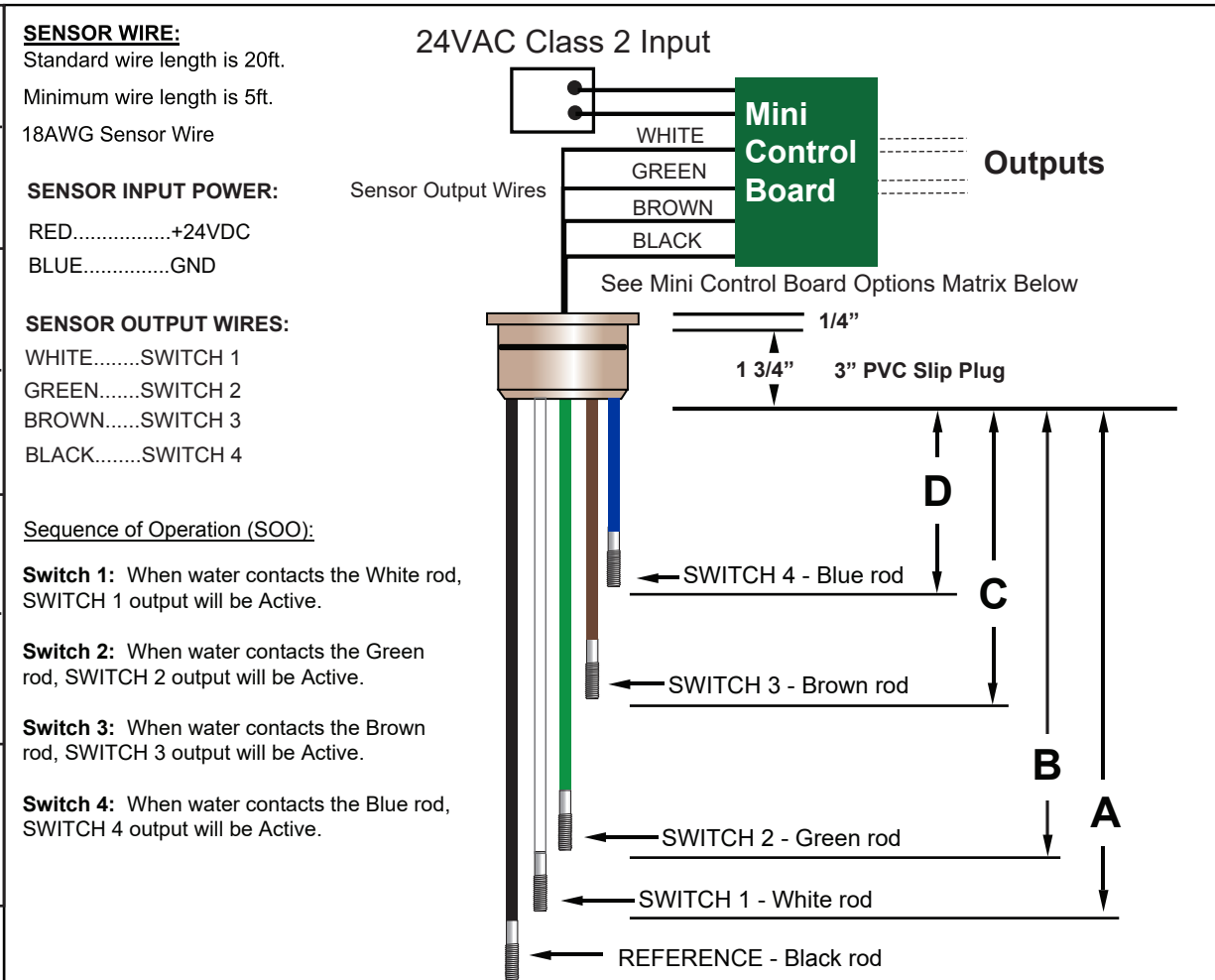


3FK4-ROD FloatKiller Sensor Submittal

4 Single-Point Switches

SENSOR APPROVAL SHEET

CUSTOMER	SENSOR WIRE: Standard wire length is 20ft. Minimum wire length is 5ft. 18AWG Sensor Wire SENSOR INPUT POWER: RED.....+24VDC BLUE.....GND SENSOR OUTPUT WIRES: WHITE.....SWITCH 1 GREEN.....SWITCH 2 BROWN.....SWITCH 3 BLACK.....SWITCH 4
PO#	
SO#	
SHIP DATE	
QUANTITY	
WIRE LENGTH (ft)	Sequence of Operation (SOO): Switch 1: When water contacts the White rod, SWITCH 1 output will be Active. Switch 2: When water contacts the Green rod, SWITCH 2 output will be Active. Switch 3: When water contacts the Brown rod, SWITCH 3 output will be Active. Switch 4: When water contacts the Blue rod, SWITCH 4 output will be Active.



System Dynamics, Inc.
 P.O. Box 12544
 Scottsdale, Arizona 85260
 Toll Free: 866-243-2505
 sales@waterlevelcontrols.com
 www.waterlevelcontrols.com

All rods are 304 stainless steel with 1/4-20 threaded ends.
 Sensor rods can be extended using an Extension Rod kit accessory.
 Sensor rods & wires are Intrinsically safe with circuit limited signals.

Custom rod length requests should be measured from where the bottom of the sensor cup will be seated after mounting, down to the required function or alarm level(s) in inches. Be sure to take into account any riser pipes or man-way risers.

		ROD LENGTH	
SENSOR		STANDARD	CUSTOM
Blue	SWITCH 4	D	10 3/8"
Brown	SWITCH 3	C	14"
Green	SWITCH 2	B	15 1/2"
White	SWITCH 1	A	16 3/8"
Black	same length as longest rod		

Unless otherwise noted below, all relay outputs are Dry Contact

MINI CONTROL BOARD OPTIONS	INPUT #	OUTPUT #			
		NO	NO	NO	NO/NC
MCB-24VAC	1, 2, 3, 4	1	2	3	4**
MCB-24VAC-TB	1, 2, 3, 4	1*	2*	3	4**

* Used for 24VDC switch output

**Use Input #4 for NO or NC Dry Contact output option

Name: _____

Company: _____

Signature: _____

Date: _____

Signature is required to release product to production