



3FK3-STK FloatTMKiller Stick Submittal

3 Single-Point Switches

SENSOR APPROVAL SHEET

CUSTOMER
PO#
SO#
SHIP DATE
QUANTITY
WIRE LENGTH (ft)

SENSOR WIRE:
 Standard wire length is 20ft.
 Minimum wire length is 5ft.
 18AWG Sensor Wire

SENSOR INPUT POWER:
 RED.....+24VDC
 BLUE.....GND

SENSOR OUTPUT WIRES:
 WHITE.....SWITCH 1
 GREEN.....SWITCH 2
 BROWN.....SWITCH 3

Sequence of Operation (SOO):

Switch 1: When water contacts the SWITCH 1 ring, SWITCH 1 output will be Active. When water is below SWITCH 1 ring, SWITCH 1 output will be Inactive.

Switch 2: When water contacts the SWITCH 2 ring, SWITCH 2 output will be Active. When water is below SWITCH 2 ring, SWITCH 2 output will be Inactive.

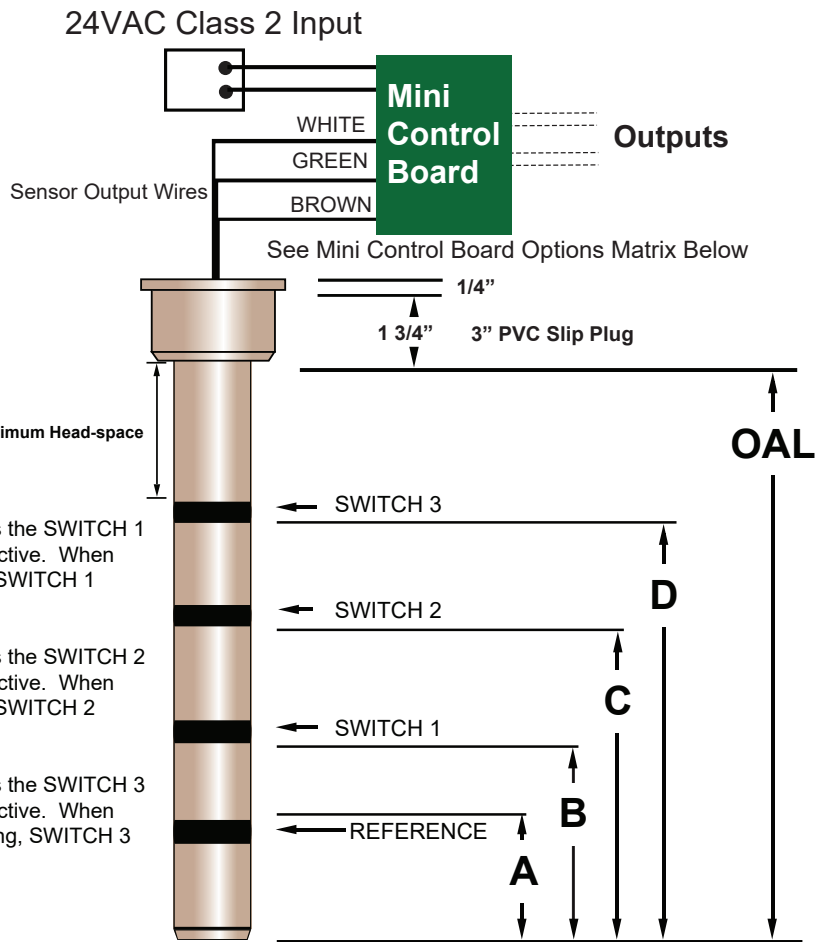
Switch 3: When water contacts the SWITCH 3 ring, SWITCH 3 output will be Active. When water is below the SWITCH 3 ring, SWITCH 3 output will be Inactive.

Components

- 3" PVC Slip Fitting cup.
- 1" Schedule 40 PVC Pipe with 3/4" passivated Stainless Steel rings (1" overall ring assembly).
- 18AWG Sensor Wire.

Determining Ring Placement

Measurement B is from the bottom of the ring to the bottom of the sensor stick. 3-1/2" minimum between rings. The Over All Length is measured from the bottom of the sensor cup to the bottom of the sensor stick.



System Dynamics, Inc.
 P.O. Box 12544
 Scottsdale, Arizona 85260
 Toll Free: 866-243-2505
 sales@waterlevelcontrols.com
 www.waterlevelcontrols.com

SENSOR		CUSTOM LENGTH
OAL		D + 9"
SWITCH 3	D	
SWITCH 2	C	
SWITCH 1	B	
REFERENCE	A	3.5"

Unless otherwise noted below, all relay outputs are Dry Contact

MINI CONTROL BOARD OPTIONS	INPUT #	OUTPUT #			
		NO	NO	NO	NO/NC
MCB-24VAC	1, 2, 3	1	2	3	4**
MCB-24VAC-TB	1, 2, 3	1*	2*	3	4**

* Used for 24VDC switch output

**Use Input #4 for NO or NC Dry Contact output option

Name: _____

Company: _____

Signature: _____

Date: _____

Signature is required to release product to production