



2SPF01R-ROD SmartProbe™ Sensor Submittal

Simplex Fill with Common Relay

SENSOR APPROVAL SHEET

CUSTOMER	
PO#	
SO#	
SHIP DATE	
QUANTITY	
WIRE LENGTH (ft)	

SENSOR WIRE:
Standard wire length is 20ft.
Minimum wire length is 5ft.
18AWG Sensor Wire

SENSOR INPUT POWER:
RED.....+24VDC
BLUE.....GND
GREEN.....INPUT (V)

SENSOR OUTPUT WIRE:
WHITE.....FILL START/STOP

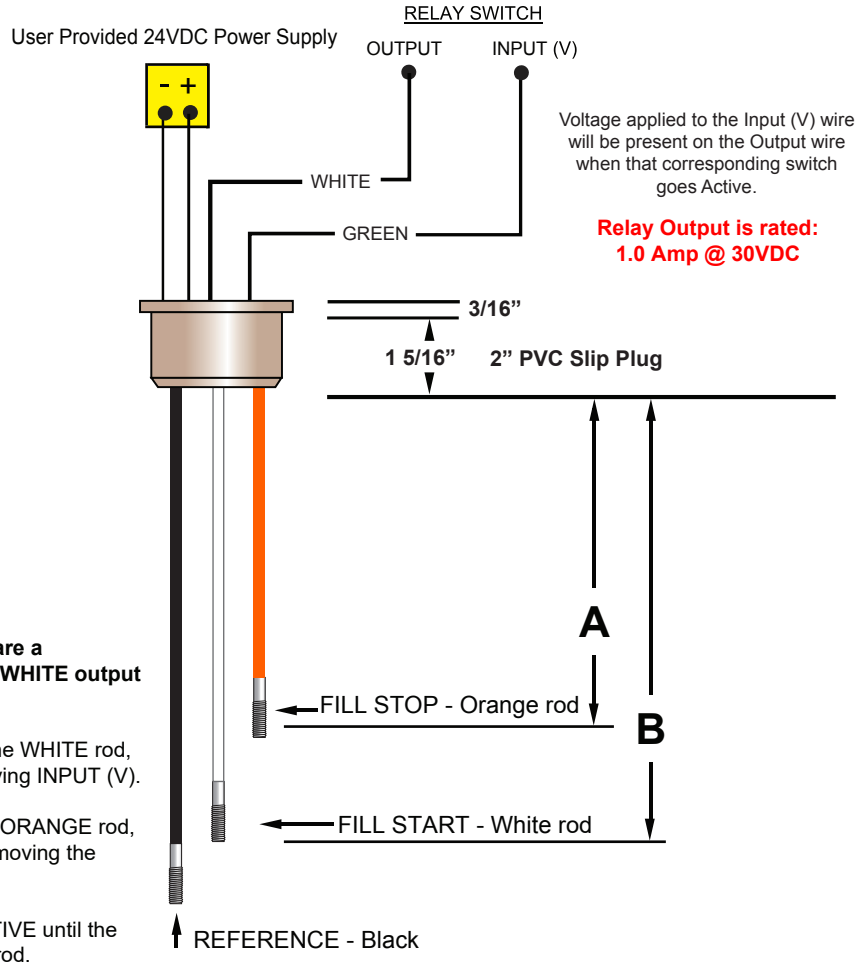
Sequence of Operation (SOO):

Function 1: Simplex Fill
The **ORANGE AND WHITE** rods are a differential function through the **WHITE** output wire.

When the water level falls below the **WHITE** rod, **WHITE** output goes **ACTIVE**, applying **INPUT (V)**.

When the water level contacts the **ORANGE** rod, **WHITE** output goes **INACTIVE**, removing the **INPUT (V)**.

The **WHITE** output remains **INACTIVE** until the water level falls below the **WHITE** rod.



All rods are 304 stainless steel with 1/4-20 threaded ends.
Sensor rods can be extended using an Extension Rod kit accessory.
Sensor rods & wires are Intrinsically safe with circuit limited signals.

Custom rod length requests should be measured from where the bottom of the sensor cup will be seated after mounting, down to the required function or alarm level(s) in inches. Be sure to take into account any riser pipes or man-way risers.

System Dynamics, Inc.
P.O. Box 12544
Scottsdale, Arizona 85260
Toll Free: 866-243-2505
sales@waterlevelcontrols.com
www.waterlevelcontrols.com

			ROD LENGTH	
SENSOR			STANDARD	CUSTOM
Orange	FILL STOP	A	15.5"	
White	FILL START	B	17"	
Black	same length as longest rod			

Name: _____

Company: _____

Signature: _____

Date: _____