

2FK35-ROD FloatKiller Sensor Submittal

2 Single-Point Switches

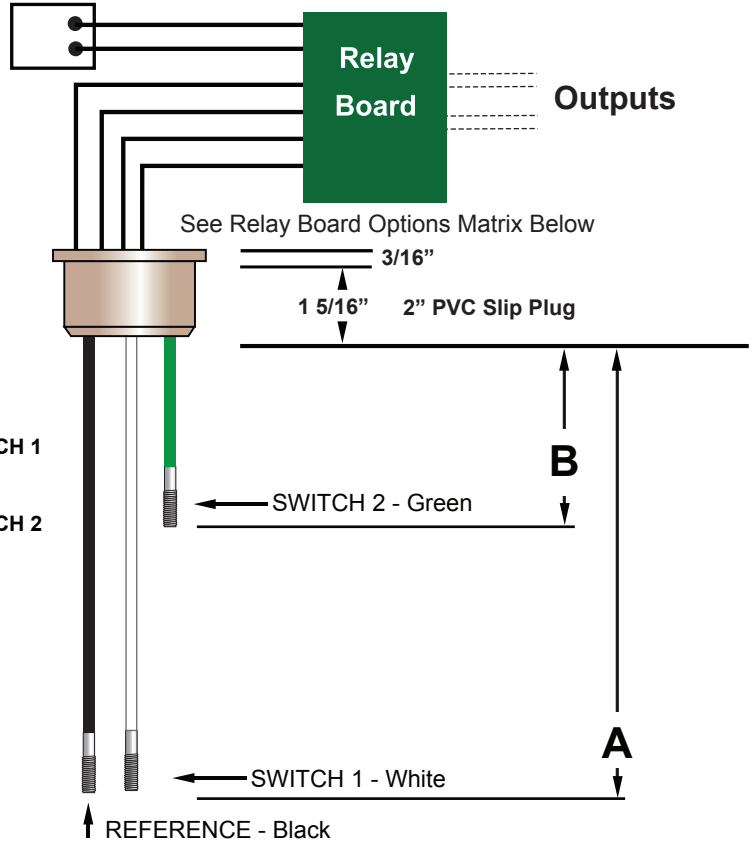


SENSOR APPROVAL SHEET

CUSTOMER	SENSOR WIRE: Standard wire length is 20ft. Minimum wire length is 5ft. 18AWG Sensor Wire #1387&32:(□)	
PO#	RED.....□VDC BL&□GND	
SO#	RELAY SWITCH OUTPUTS: 2:1 □□Z&+□ #Z(□ □Z&+□	
SHIP DATE	Sequence of Operation SOO : Switch 1: When water contacts the SWITCH 1 rod , SWITCH 1 output will be Active. Switch 2: When water contacts the SWITCH 2 rod , SWITCH 2 output will be Active.	
QUANTITY	See Relay Board Options Matrix Below	
WIRE LENGTH (ft)	See Relay Board Options Matrix Below	

System Dynamics, Inc.
 P.O. Box 12544
 Scottsdale, Arizona 85260
 Toll Free: 866-243-2505
 sales@waterlevelcontrols.com
 www.waterlevelcontrols.com

110/220 VAC Input



All rods are 304 stainless steel with 1/4-20 threaded ends.
 Sensor rods can be extended using an Extension Rod kit accessory.
 Sensor rods & wires are Intrinsically safe with circuit limited signals.

Custom rod length requests should be measured from where the bottom of the sensor cup will be seated after mounting, down to the required function or alarm level(s) in inches. Be sure to take into account any riser pipes or man-way risers.

			ROD LENGTH	
SENSOR			STANDARD	CUSTOM
Green	FUNCTION 2	B	10 3/8"	
White	FUNCTION 1	A	17"	
Black	same length as longest rod			