

# 2CP34R FloatKiller Stick Submittal

Single Point Switch



## SENSOR APPROVAL SHEET

CUSTOMER
PO#
SO#
SHIP DATE
QUANTITY
WIRE LENGTH (ft)

**SENSOR WIRE:**  
Standard wire length is 20ft.  
Minimum wire length is 5ft.  
18AWG Sensor Wire

**INPUT DC POWER:**  
RED.....+VDC  
BLACK.....GND

WHITE.....SWITCH 1  
GREEN.....INPUT VOLTAGE (V)

**Specify DC Voltage Requirement**

- 12VDC  
 24VDC

**Sequence of Operation (SOO):**

**Function 1: Single Point Switch**

When the water level contacts the SWITCH 1 ring, the WHITE output wire goes ACTIVE, applying the INPUT (V) to the OUTPUT wire.

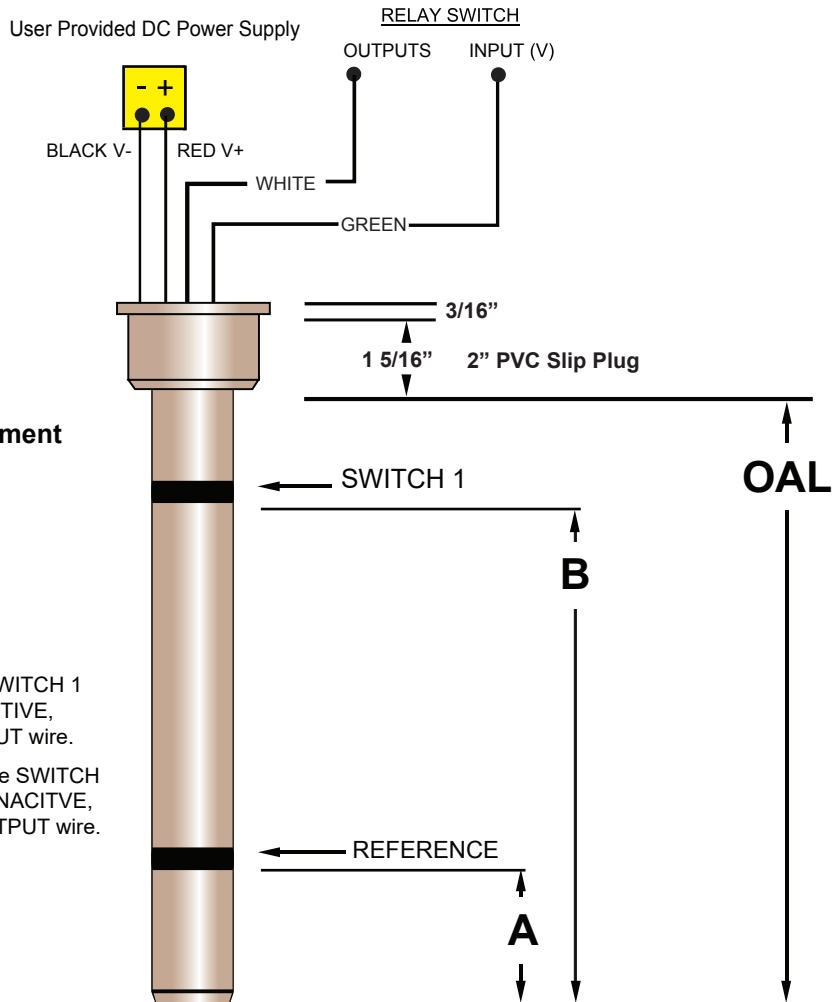
When the water level drops below the SWITCH 1 ring, the WHITE output wire goes INACTIVE, removing the INPUT(V) from the OUTPUT wire.

**Components**

- PVC Slip Fitting cup.
- 1" Schedule 40 PVC Pipe with 3/4" passivated Stainless Steel rings (1" overall ring assembly).
- 18AWG Sensor Wire.

**Determining Ring Placement**

Measurement B is from the bottom of the ring to the bottom of the sensor stick. 3-1/2" minimum between rings.  
The Over All Length is measured from the bottom of the sensor cup to the bottom of the sensor stick.



System Dynamics, Inc.  
P.O. Box 12544  
Scottsdale, Arizona 85260  
Toll Free: 866-243-2505  
sales@waterlevelcontrols.com  
www.waterlevelcontrols.com

SENSOR		CUSTOM LENGTH
OAL		D + 9"
FUNCTION 1	B	
REFERENCE	A	3.5"

Name:

Company:

Signature:

Date: