

2CP34R FloatKiller Sensor Submittal



G]b[`Y`Dc]bhGk]HW

SENSOR APPROVAL SHEET

CUSTOMER

PO#

SO#

SHIP DATE

QUANTITY

WIRE LENGTH (ft)

SENSOR WIRE:
Standard wire length is 20ft.
Minimum wire length is 5ft.
18AWG Sensor Wire

INPUT DC POWER:
RED.....+VDC
BLACK.....GND
WHITE.....FUNCTION 1
GREEN.....INPUT VOLTAGE (V)

Specify DC Voltage Requirement

12VDC
 24VDC

Sequence of Operation (SOO):

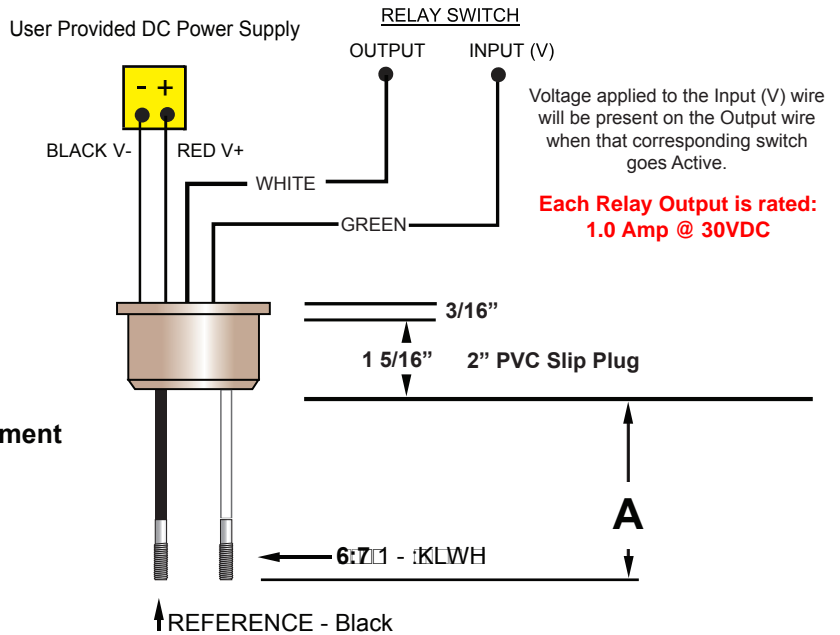
Function 1: 6LOH3RLW6LWF

:HWH:RWSW:LUHRHV:ZSSO

WH:137WRWH2737LUH

:HWH:RWSW:LUHRHV:ZSSO

URGW:137WRWH2737LUH



All rods are 304 stainless steel with 1/4-20 threaded ends.
Sensor rods can be extended using an Extension Rod kit accessory.
Sensor rods & wires are Intrinsically safe with circuit limited signals.

Custom rod length requests should be measured from where the bottom of the sensor cup will be seated after mounting, down to the required function or alarm level(s) in inches. Be sure to take into account any riser pipes or man-way risers.

System Dynamics, Inc.
P.O. Box 12544
Scottsdale, Arizona 85260
Toll Free: 866-243-2505
sales@waterlevelcontrols.com
www.waterlevelcontrols.com

SENSOR		ROD LENGTH	
		STANDARD	CUSTOM
Green	FUNCTION 1	A	
Black	same length as longest rod		

Name:

Company:

Signature:

Date: