

2FK34-ROD FloatKiller Sensor Submittal

1 Single-Point Switch



SENSOR APPROVAL SHEET

CUSTOMER
PO#
SO#
SHIP DATE
QUANTITY
WIRE LENGTH (ft)

SENSOR WIRE:
 Standard wire length is 20ft.
 Minimum wire length is 5ft.
 18AWG Sensor Wire

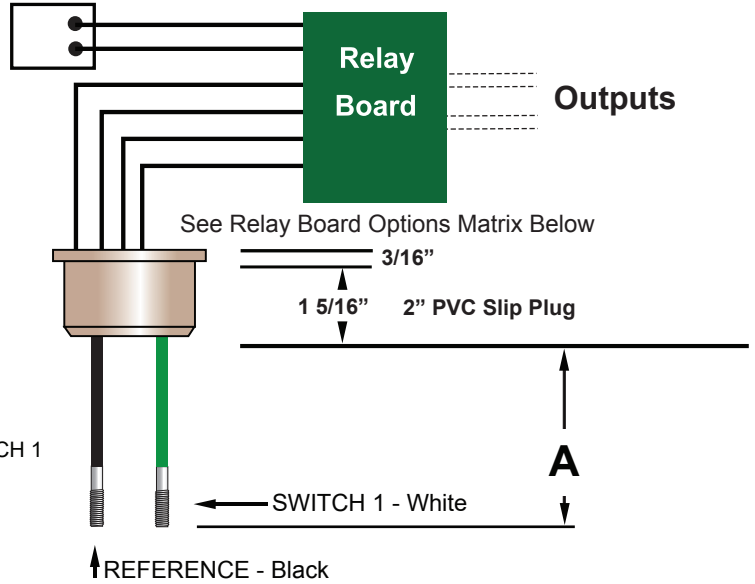
INPUT DC POWER:
 RED.....+VDC
 BLACK.....GND

RELAY SWITCH OUTPUT:
 WHITE.....SWITCH 1

Sequence of Operation (SOO):

Switch 1: When water contacts the SWITCH 1 ring, SWITCH 1 output will be Active.

110/220 VAC Input



All rods are 304 stainless steel with 1/4-20 threaded ends.
 Sensor rods can be extended using an Extension Rod kit accessory.
 Sensor rods & wires are Intrinsically safe with circuit limited signals.

Custom rod length requests should be measured from where the bottom of the sensor cup will be seated after mounting, down to the required function or alarm level(s) in inches. Be sure to take into account any riser pipes or man-way risers.

System Dynamics, Inc.
 P.O. Box 12544
 Scottsdale, Arizona 85260
 Toll Free: 866-243-2505
 sales@waterlevelcontrols.com
 www.waterlevelcontrols.com

SENSOR		ROD LENGTH	
		STANDARD	CUSTOM
Green	FUNCTION 1	A	
Black	same length as longest rod		

RELAY BOARD	INPUTS	OUTPUTS
RPB-12V-NO		
RPB-12V-NC		
RPB-24V-NO		
RPB-24V-NC		