



3SPF04R-ROD SmartProbe Sensor Submittal

Simplex Fill with Low & High Alarms and Common Relay

SENSOR APPROVAL SHEET

| | |
|------------------|--|
| CUSTOMER | |
| PO# | |
| SO# | |
| SHIP DATE | |
| QUANTITY | |
| WIRE LENGTH (ft) | |

SENSOR WIRE:

Standard wire length is 20ft.

Minimum wire length is 5ft.

18AWG Sensor Wire

INPUT DC POWER:

RED.....+VDC

BLACK.....GND

BLUE.....INPUT (V)

RELAY SWITCH OUTPUTS:

WHITE.....FILL START/STOP

GREEN.....HIGH ALARM

BROWN.....LOW ALARM

Specify DC Voltage Requirement

12VDC

24VDC

Sequence of Operation (SOO):

Function 1: High Alarm

When the water contacts the GREEN rod, the GREEN output goes ACTIVE, applying INPUT (V). When the water level falls below the GREEN rod, the GREEN output goes INACTIVE, removing INPUT (V).

Function 2: Fill Start/Stop

ORANGE AND WHITE rods are a differential function through the WHITE output wire. When the water level falls below the WHITE rod, WHITE output goes ACTIVE, applying INPUT (V). When the water level contacts the ORANGE rod, WHITE output goes INACTIVE, removing INPUT (V). WHITE output remains INACTIVE until water level falls below the WHITE rod.

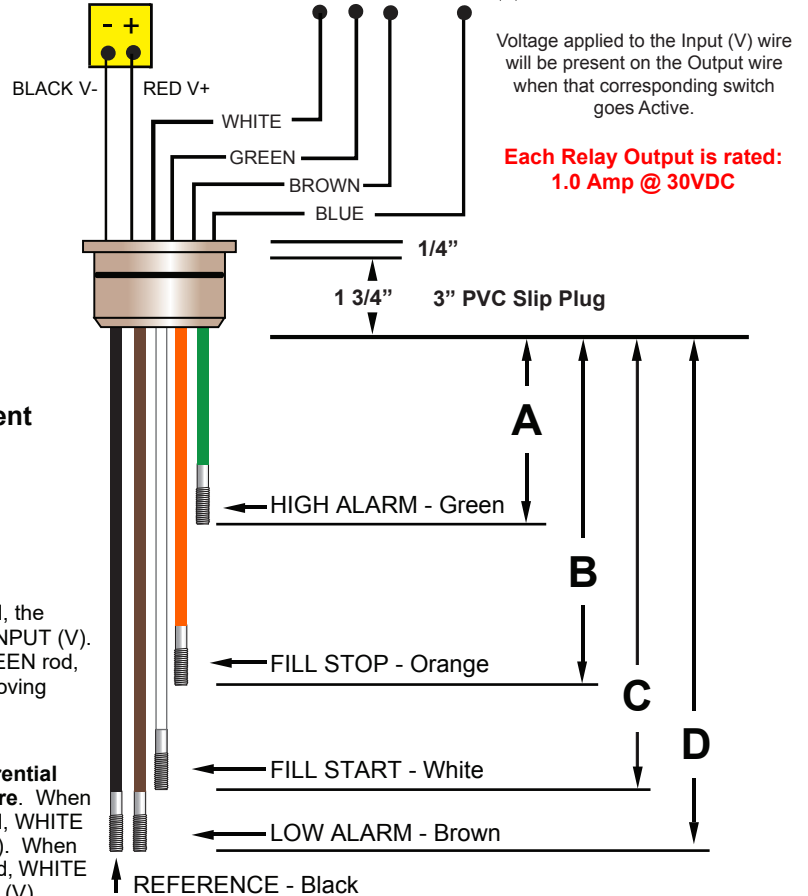
Function 3: Low Alarm

When the water level contacts the BROWN rod, BROWN output goes INACTIVE. When the water level falls below the BROWN rod, BROWN output goes ACTIVE, applying INPUT (V).

User Provided DC Power Supply

RELAY SWITCH

OUTPUTS INPUT (V)



System Dynamics, Inc.
P.O. Box 12544
Scottsdale, Arizona 85260
Toll Free: 866-243-2505
sales@waterlevelcontrols.com
www.waterlevelcontrols.com

All rods are 304 stainless steel with 1/4-20 threaded ends.
Sensor rods can be extended using an Extension Rod kit accessory.
Sensor rods & wires are Intrinsically safe with circuit limited signals.

Custom rod length requests should be measured from where the bottom of the sensor cup will be seated after mounting, down to the required function or alarm level(s) in inches. Be sure to take into account any riser pipes or man-way risers.

| SENSOR | | ROD LENGTH | |
|--------|----------------------------|------------|---------|
| | | STANDARD | CUSTOM |
| Green | HIGH ALARM | A | 10 3/8" |
| Orange | FILL STOP | B | 14 7/8" |
| White | FILL START | C | 16 3/8" |
| Brown | LOW ALARM | D | 17" |
| Black | same length as longest rod | | |

Name: _____

Company: _____

Signature: _____

Date: _____

Signature is required to release product to production