



3FK3-STK FloatKiller Stick Submittal

3 Single-Point Switches

SENSOR APPROVAL SHEET

CUSTOMER
PO#
SO#
SHIP DATE
QUANTITY
WIRE LENGTH (ft)

SENSOR WIRE:
Standard wire length is 20ft.
Minimum wire length is 5ft.

18AWG Sensor Wire

INPUT DC POWER:
RED.....+VDC
BLACK.....GND

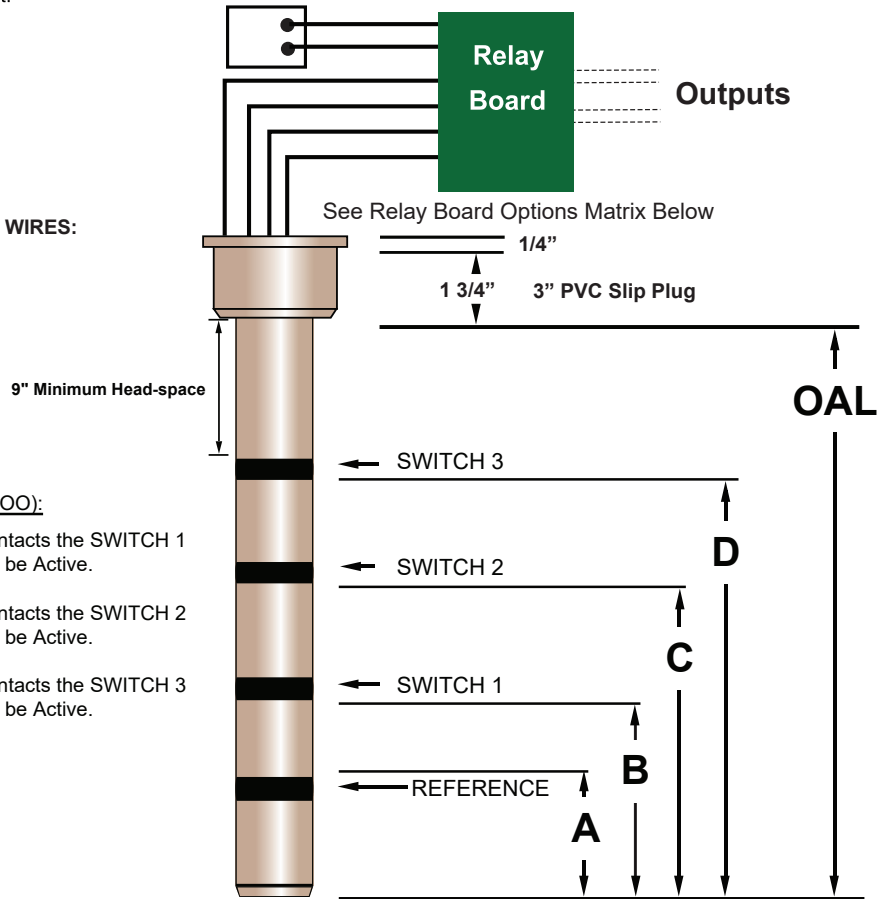
RELAY SWITCH OUTPUT WIRES:
WHITE.....SWITCH 1
GREEN.....SWITCH 2
BROWN.....SWITCH 3

Sequence of Operation (SOO):
Switch 1: When water contacts the SWITCH 1 ring, SWITCH 1 output will be Active.
Switch 2: When water contacts the SWITCH 2 ring, SWITCH 2 output will be Active.
Switch 3: When water contacts the SWITCH 3 ring, SWITCH 3 output will be Active.

Components
3" PVC Slip Fitting cup.
1" Schedule 40 PVC Pipe with 3/4" passivated Stainless Steel rings (1" overall ring assembly).
18AWG Sensor Wire.

Determining Ring Placement
Measurement B is from the bottom of the ring to the bottom of the sensor stick. 3-1/2" minimum between rings.
The Over All Length is measured from the bottom of the sensor cup to the bottom of the sensor stick.

110/220 VAC Input Transformer



System Dynamics, Inc.
P.O. Box 12544
Scottsdale, Arizona 85260
Toll Free: 866-243-2505
sales@waterlevelcontrols.com
www.waterlevelcontrols.com

SENSOR		CUSTOM LENGTH
OAL		D + 9"
SWITCH 3	D	
SWITCH 2	C	
SWITCH 1	B	
REFERENCE	A	3.5"

Unless noted below, all relay outputs are Dry Contact

RELAY BOARD	INPUT #	OUTPUT #			
		NO	NO	NO	NC
RPB-24-NO	1, 2, 3	1	2	3	
RPB-24-NC	1, 2, 4	1	2		4
RPB-24-NO-TB	1, 2, 3	1*	2*	3	
RPB-24-NC-TB	1, 2, 4	1*	2*		4
RPB-24-PF	1, 2, 3, 4	1	2	3	4**

* Used for 24VDC switch output

** This output is used for Power Fault detection

Name: _____

Company: _____

Signature: _____

Date: _____

Signature is required to release product to production