

# 3CPD24R-ROD SmartProbe Sensor Submittal



**Duplex Pump Down with Sequence On/All Off & High Alarm and Common Relay**

## SENSOR APPROVAL SHEET

CUSTOMER	
PO#	
SO#	
SHIP DATE	
QUANTITY	
WIRE LENGTH (ft)	

**SENSOR WIRE:**  
Standard wire length is 20ft.  
Minimum wire length is 5ft.  
18AWG Sensor Wire

**INPUT DC POWER:**  
RED.....+VDC  
BLACK.....GND  
BLUE.....INPUT (V)

**RELAY SWITCH OUTPUTS:**  
WHITE.....PUMP 1  
BROWN.....PUMP 2  
GREEN.....HIGH ALARM

**Specify DC Voltage Requirement**

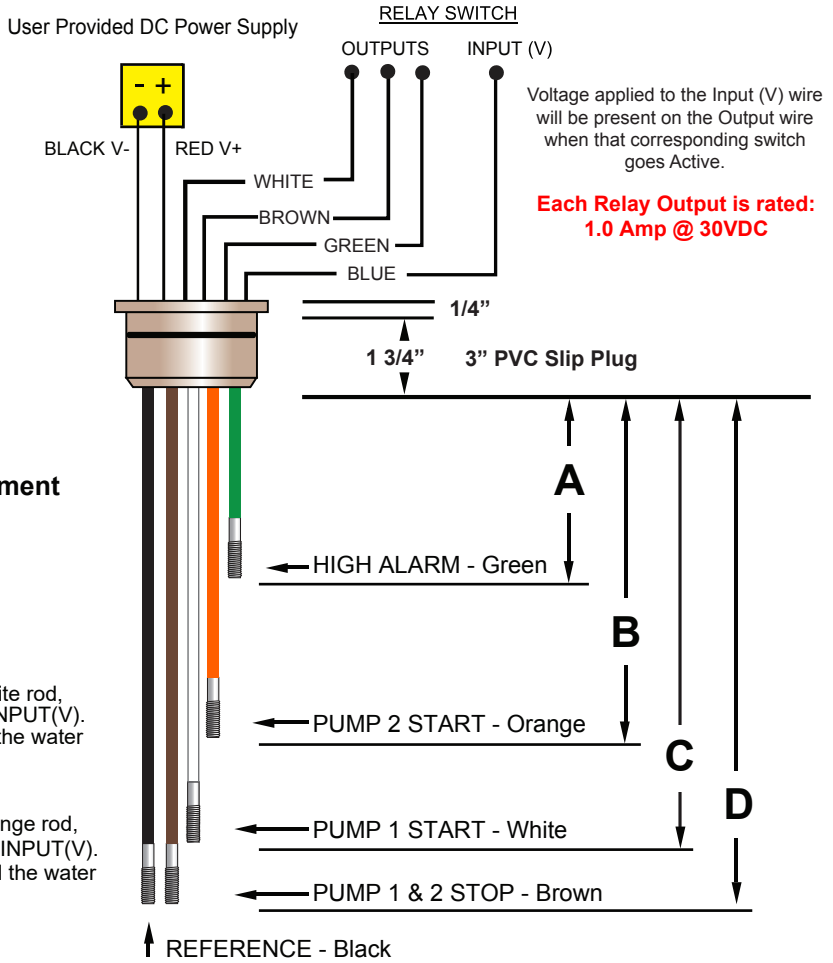
12VDC  
 24VDC

**Sequence of Operation (SOO):**

**Function 1: Pump 1 Start**  
When the water level contacts the White rod, WHITE output goes Active, applying INPUT(V). WHITE output will remain Active until the water level falls below the Brown rod.

**Function 2: Pump 2 Start**  
When the water level contacts the Orange rod, BROWN output goes Active, applying INPUT(V). BROWN output will remain Active until the water level falls below the Brown rod.

**Function 3: High Alarm**  
When the water level contacts the Green rod, GREEN output goes Active, applying INPUT(V). When the water level falls below the Green rod, GREEN output goes Inactive, removing INPUT(V).



All rods are 304 stainless steel with 1/4-20 threaded ends.  
Sensor rods can be extended using an Extension Rod kit accessory.  
Sensor rods & wires are Intrinsically safe with circuit limited signals.

Custom rod length requests should be measured from where the bottom of the sensor cup will be seated after mounting, down to the required function or alarm level(s) in inches. Be sure to take into account any riser pipes or man-way risers.

System Dynamics, Inc.  
P.O. Box 12544  
Scottsdale, Arizona 85260  
Toll Free: 866-243-2505  
sales@waterlevelcontrols.com  
www.waterlevelcontrols.com

SENSOR		ROD LENGTH	
		STANDARD	CUSTOM
Green	HIGH ALARM	A	10-3/8"
Orange	PUMP 2 START	B	14-7/8"
White	PUMP 1 START	C	16-3/8"
Brown	PUMP 1 & 2 STOP	D	17"
Black	same length as longest rod		

Name:  
Company:  
Signature:  
Date:

Signature is required to release product to production