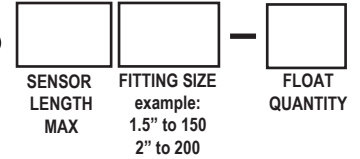




# SUBMITTAL FOR 1 FLOAT SWITCH

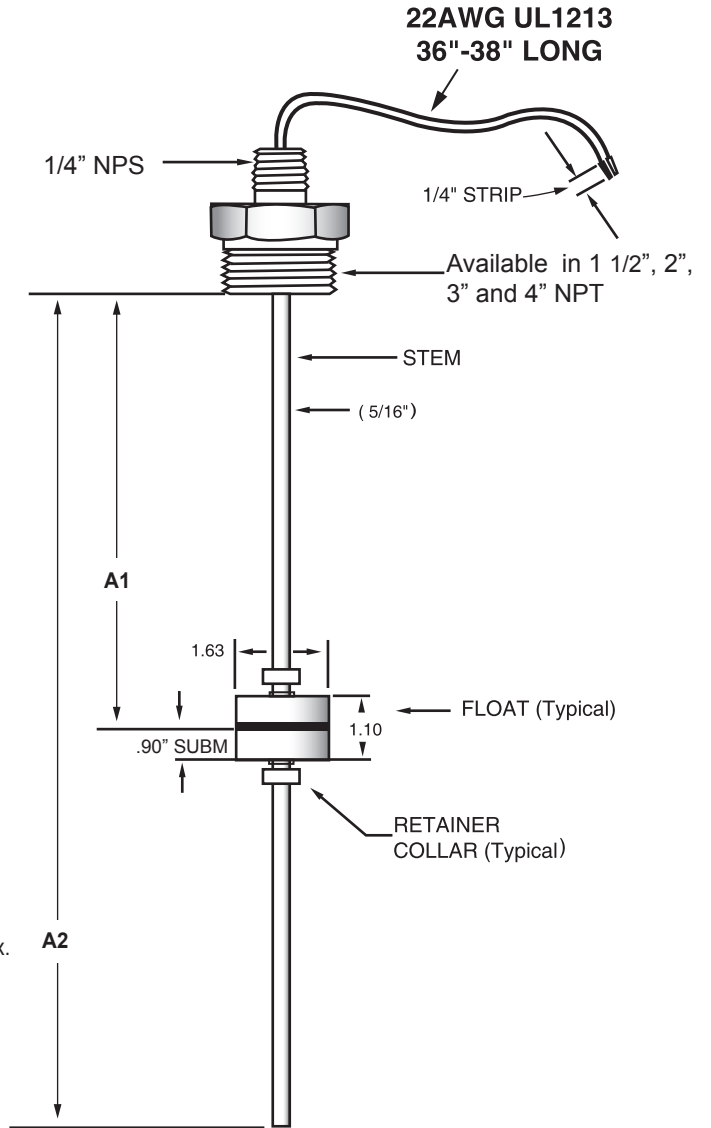
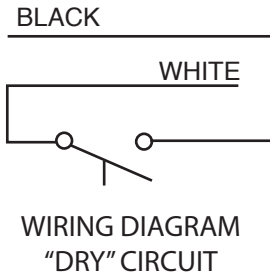
Custom Sensor Lengths FS

HOW TO GENERATE A PART NUMBER



## FLOAT SENSORS APPROVAL SHEET

CUSTOMER
PO#
SO#
SHIP DATE
QUANTITY
FITTING SIZE



- NOTES:
- All materials are stainless steel 316SS.
  - Operating Pressure: 120 PSIG Max.
  - Temperature Range: -40 F° to +200° F Max.
  - Electrical Specifications:  
Switching Voltage: 120 V AC/DC Max.  
Switching Current: 0.35 AC/DC Amp. Max.  
Contact Rating: 40 VA Max.
  - Minimum Media SP. GR. : 1.00 SG.
  - Float Submergence: .90" +4P REF.
  - Agency Approval: UL File No.
  - Float over travel between 1/8" - 3/8".

System Dynamics, Inc.  
P.O. Box 12544  
Scottsdale, Arizona 85260  
Toll Free: 888-905-1892  
info@waterlevelcontrols.com  
www.waterlevelcontrols.com

Dimensions should be calculated from the top of the tank or riser down to the required alarm level(s) in inches. Be sure to take into account any riser pipes or manway risers.

FLOAT		LENGTHS
White	A1	
Overall	A2	

Name:

Company:

Signature:

Date: