



NINA X6 - Fill with HCO & LA & HA

INSTALLATION & OPERATION

The NINA™ Liquid Level Controls may look like the competition but the unit is revolutionary in its design. The NINA Liquid Level Controls is perfect in any application where water level management is important. It uses a microprocessor that monitors all probes for correct operation and then provides the corresponding outputs to drive the dry contacts. The Modular construction insures user-friendly operation. By using a very low voltage and current, NINA Liquid Level Controls probes never foul or degrade whenever using solid state sensors.

- Dry Contacts
- Solid State Reliability
- Dirty Electrode Detection
- Modular Plug-in Design
- LED Monitoring
- Power Loss Detection
- Intrinsically Safe Sensors
- 14-Pin Socket

Applications

- Low Water Cutoff
- Point level
- Alarms
- Any application that requires filling with a valve or pump.

Specifications*

- Isolation Voltage, input to output 150 volts peak
- Maximum operating temperature +60 degrees C
- Minimum operating temperature -40 degrees C
- Mounting style plug in
- Maximum Number of input*** 8 (including two for power)
- Maximum Number of outputs 6 (including the common relay connection)
- Output Type** Dry contacts (rated at 0.5 Amp Max. 24 V AC/DC)
- Overall Height 2.68" (6.81mm) not including connector pins
- Overall Length 2.40" (60.96mm)
- Overall Width 1.78" (45.2mm)
- Overall Dimensions 3.05" x 2.40" x 1.78" (includes connector pins)
- Probe Voltage 2.0 VAC Max. at Approx. 1uA max.
- Sensitivity Approx. 200K Ohms
- Supply Voltage Either 24 VDC or 24VAC (Set at factory)
- Termination Type 14 Pin (Proprietary to WaterLine Controls)
- Supply Current Approx. 0.05 Amp (Depending on operational mode)
- DIN Rail 35mm

*Specifications subject to change without notification.

** All relay outputs use the same common leg.

***Use shielded wire for sensor or float connections.

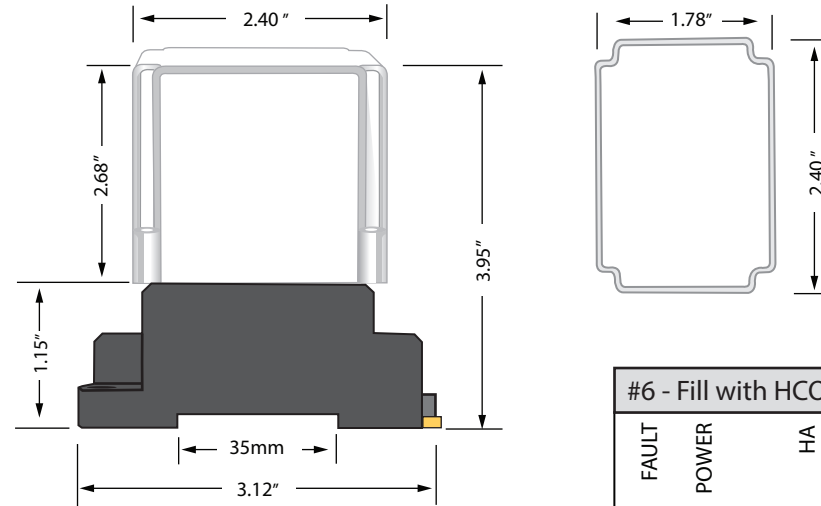
PRODUCT FUNCTION TRUTH TABLE

The White spaces below mean "No Connection or Function"

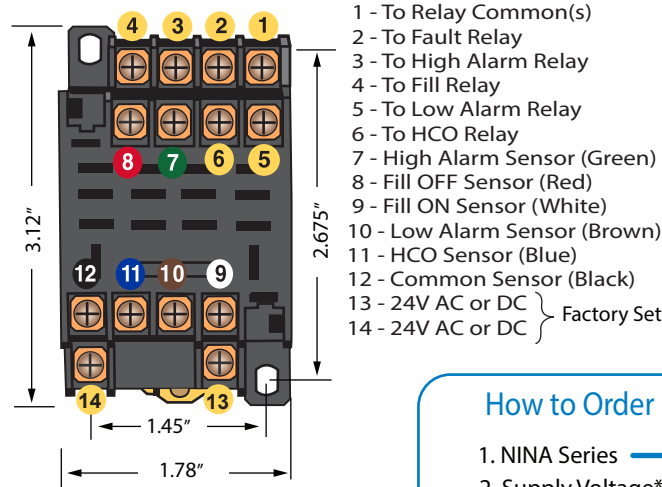
MODEL	DRY CONTACTS						
	Fault / Power Loss	Heater Cut Off	Low Alarm	High Alarm	Fill 1	Fill 2	Alternate
Nina X6							

System Dynamics, Inc.
P.O. Box 12544 Scottsdale, Arizona 85260
Toll Free: 888-905-1892
Email: info@waterlevelcontrols.com • www.waterlevelcontrols.com
nina060316

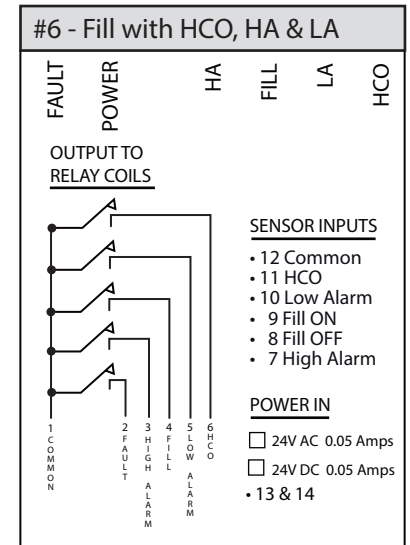
DIMENSIONS



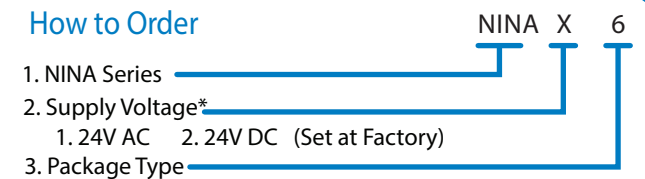
WIRING



NOTE: All outputs are Dry Contacts.



How to Order



1. NINA Series
2. Supply Voltage*
1. 24V AC 2. 24V DC (Set at Factory)
3. Package Type

*Let factory know whether supply voltage is AC or DC